

IMPORTANT READ AND FOLLOW ALL SAFETY INSTRUCTIONS

CAUTION: EXTERNAL ILLUMINATION SOURCE REQUIRED
Minimum 5 foot-candles (54 lux) fluorescent, mercury vapour, or metal halide light on sign face at all times of building occupancy

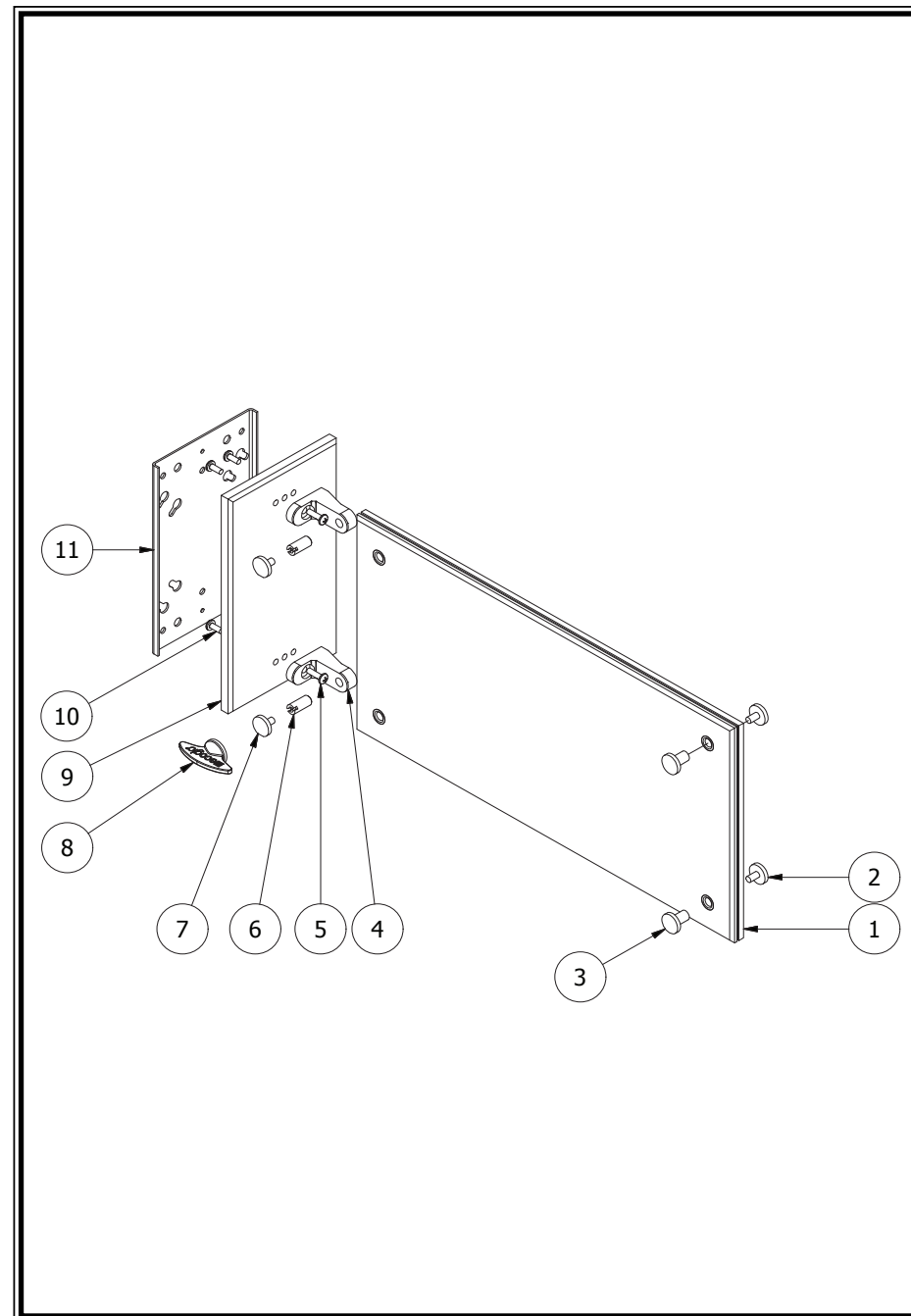
- Install photoluminescent exit signs only where an external illumination source is present, is deemed reliable and is supplied by a circuit not controlled by automatic timers or sensors, and whose controls are accessible only to authorized personnel
- The reliable external illumination source is to be energized at all times during building occupancy; Energy saving automatic controls utilized when premises are not occupied and accessible only to authorized personnel are permitted provided that illumination is provided for the required charge time
- Lighting levels on the sign are to be reassessed after any changes in external lighting types or levels to determine that the sign is still being illuminated in accordance with its listing
- Periodically clean the sign face with a damp cloth
- Conduct periodic visibility inspection to ensure that the signs are clear and legible
- This exit sign is for indoor use only. Exposure to direct sunlight, liquid spray or temperature outside the range of 10 °C to 40 °C is not recommended
- Ensure rigidity and sufficiency of the mounting

NOTICE - Max Operating Time 120 Minutes
R 50 Rated Viewing Distance 15.25 m (50 ft)
R 75 Rated Viewing Distance 22.86 m (75 ft)

INSTALLATION

1. Remove plastic film from front and back of sign(1).
2. Finger-tighten finishing screws(2) and nuts(3) into outer corner holes of sign.
3. Prepare installation surface. Ensure surface is free of dirt, debris and residue.
4. Mark installation surface to ensure sign is properly aligned and level when mounted. Use mounting plate(11) as a template.
5. Drill hole pattern if necessary. Screw mounting plate(11) to installation surface.
6. Screw both L-Brackets(4) onto finishing plate(9) using the 4 M4 x 6mm - Pan Head Philips machine screws(10).
7. Screw finishing plate(9) onto mounting plate(11) through the centre of the attached L-Brackets(4) using the 2 #8-32 x 5/8 Philips machine screws(5).
8. Screw the 2 threaded pins(6) into the L-Bracket(4). Insert inner sign holes onto threaded pins(6) and secure with T-Screws(6) using the supplied tool(8).

SAVE THESE INSTRUCTIONS FOR FIRE SAFETY INSPECTIONS



**IMPORTANT READ AND FOLLOW ALL SAFETY INSTRUCTIONS
CAUTION: EXTERNAL ILLUMINATION SOURCE REQUIRED**

Minimum 5 foot-candles (54 lux) fluorescent, mercury vapour, or metal halide light on sign face at all times of building occupancy

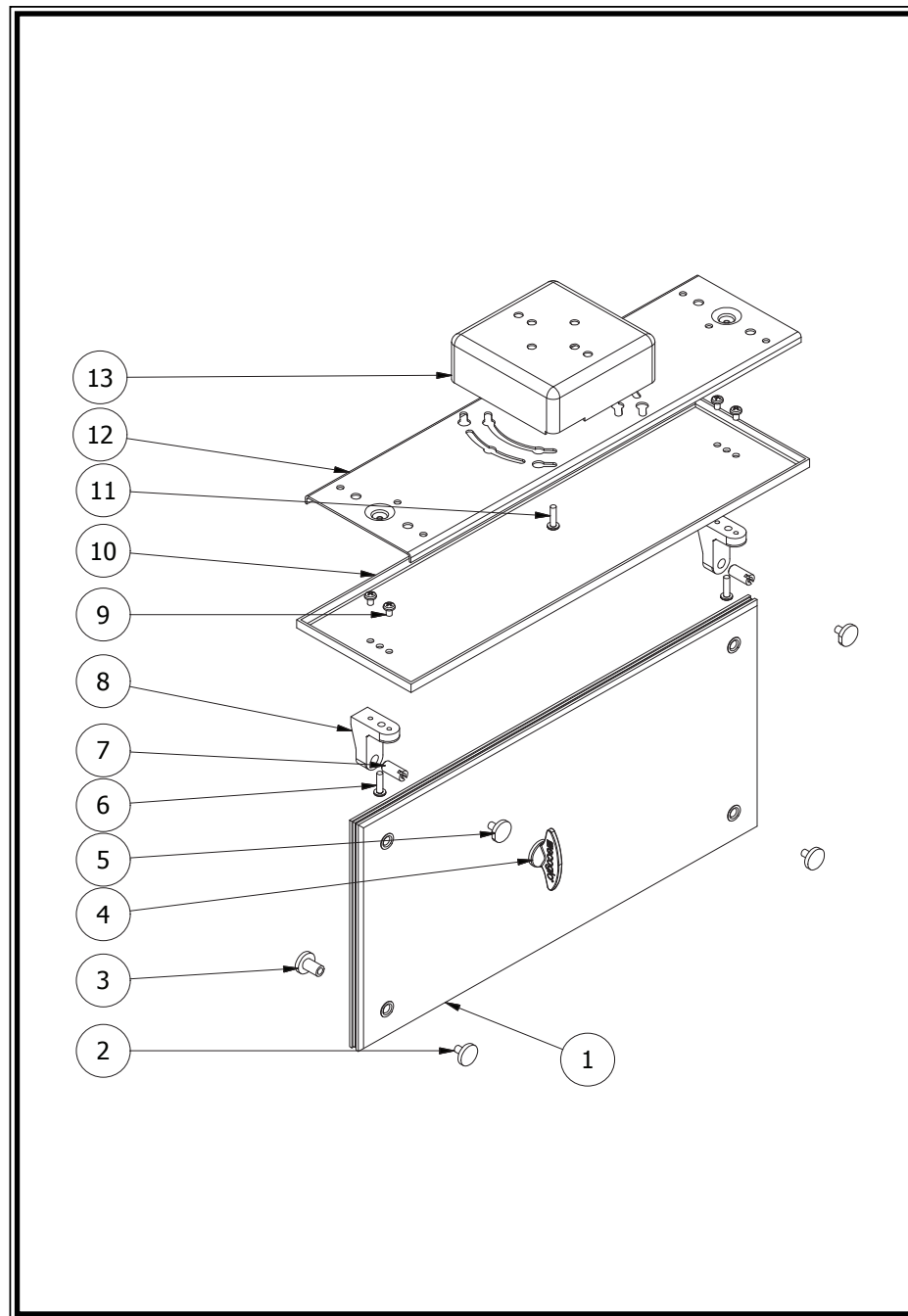
- Install photoluminescent exit signs only where an external illumination source is present, is deemed reliable and is supplied by a circuit not controlled by automatic timers or sensors, and whose controls are accessible only to authorized personnel
- The reliable external illumination source is to be energized at all times during building occupancy; Energy saving automatic controls utilized when premises are not occupied and accessible only to authorized personnel are permitted provided that illumination is provided for the required charge time
- Lighting levels on the sign are to be reassessed after any changes in external lighting types or levels to determine that the sign is still being illuminated in accordance with its listing
- Periodically clean the sign face with a damp cloth
- Conduct periodic visibility inspection to ensure that the signs are clear and legible
- This exit sign is for indoor use only. Exposure to direct sunlight, liquid spray or temperature outside the range of 10 °C to 40 °C is not recommended
- Ensure rigidity and sufficiency of the mounting

**NOTICE - Max Operating Time 120 Minutes
R 50 Rated Viewing Distance 15.25 m (50 ft)
R 75 Rated Viewing Distance 22.86 m (75 ft)**

INSTALLATION

1. Remove plastic film from front and back of sign(1).
2. Finger-tighten finishing screws(2) and nuts(3) into bottom corner holes of sign.
3. Prepare installation surface. Ensure surface is free of dirt, debris and residue.
4. **Option A:**
If mounting sign to an electrical box(13) in a suspended ceiling, attach mounting plate(12) to electrical box(13) using electrical box screws(11). Proceed to step 6.
5. **Option B:**
If mounting sign directly to a ceiling, mark installation surface to ensure sign is properly aligned and level when mounted. Use mounting plate (10) as a template.
Drill hole pattern if necessary. Screw mounting plate(12) to installation surface. Proceed to step 6.
6. Screw both L-Brackets(8) onto finishing plate(10) using the 4 M4 x 6mm - Pan Head Philips machine screws(9).
7. Screw finishing plate(9) onto mounting plate(12) through the centre of the attached L-Brackets(8) using the 2 #8-32 x 5/8 Philips machine screws(6).
8. Screw the 2 threaded pins(7) into the L-Bracket(8). Insert inner sign holes onto threaded pins(7) and secure with T-Screws(5) using the supplied tool(4).

SAVE THESE INSTRUCTIONS FOR FIRE SAFETY INSPECTIONS



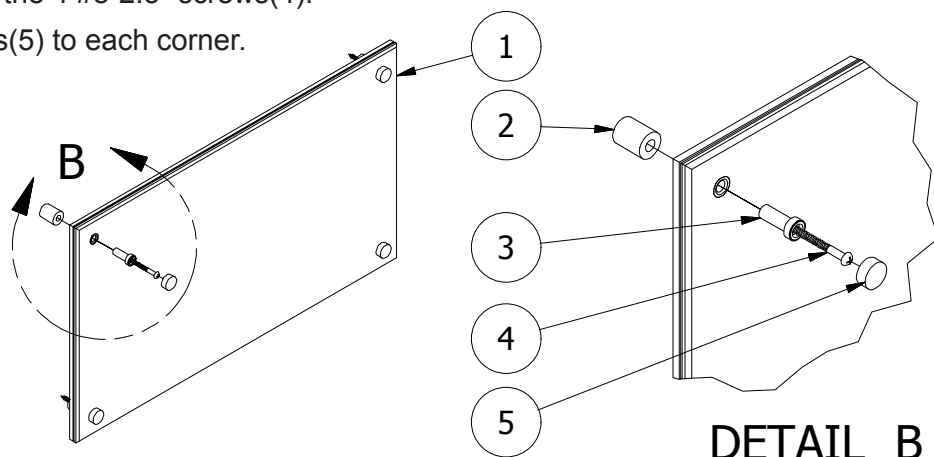
IMPORTANT READ AND FOLLOW ALL SAFETY INSTRUCTIONS
CAUTION: EXTERNAL ILLUMINATION SOURCE REQUIRED
Minimum 5 foot-candles (54 lux) fluorescent, mercury vapour, or metal halide light on sign face at all times of building occupancy

- Install photoluminescent exit signs only where an external illumination source is present, is deemed reliable and is supplied by a circuit not controlled by automatic timers or sensors, and whose controls are accessible only to authorized personnel
- The reliable external illumination source is to be energized at all times during building occupancy; Energy saving automatic controls utilized when premises are not occupied and accessible only to authorized personnel are permitted provided that illumination is provided for the required charge time
- Lighting levels on the sign are to be reassessed after any changes in external lighting types or levels to determine that the sign is still being illuminated in accordance with its listing
- Periodically clean the sign face with a damp cloth
- Conduct periodic visibility inspection to ensure that the signs are clear and legible
- This exit sign is for indoor use only. Exposure to direct sunlight, liquid spray or temperature outside the range of 10 °C to 40 °C is not recommended
- Ensure rigidity and sufficiency of the mounting

NOTICE - Max Operating Time 120 Minutes
R 50 Rated Viewing Distance 15.25 m (50 ft)
R 75 Rated Viewing Distance 22.86 m (75 ft)

INSTALLATION

1. Remove plastic film from front and back of sign(1).
2. Prepare installation surface. Ensure surface is free of dirt, debris and residue.
3. Mark wall surface to ensure sign is properly aligned and level when mounted.
4. Drill hole pattern. Use a 1/4" masonry bit for concrete anchors, 3/8" bit for drywall Kwik Tog anchors.
5. Insert mounting sleeves(3) into corner holes of sign, fastening to spacers(2) on other side of sign.
6. Screw sign into wall using the 4 #8-2.5" screws(4).
7. Apply provided screw caps(5) to each corner.



SAVE THESE INSTRUCTIONS FOR FIRE SAFETY INSPECTIONS