



## Pedestrian Bridges

Armor-Deck® Bridges provide an opportunity for architects and engineers to design aesthetically pleasing applications using a safe, durable and lightweight system with the added benefits of corrosion resistance, colour selection and ease of installation.

Armor-Deck® Bridges are installed in areas inaccessible to heavy lifting apparatus required by concrete decks. While concrete bridge decks begin to deteriorate soon after installation, the Armor-Deck® material does not show any signs of degradation after many years under adverse conditions. These bridges have been installed since 2005.

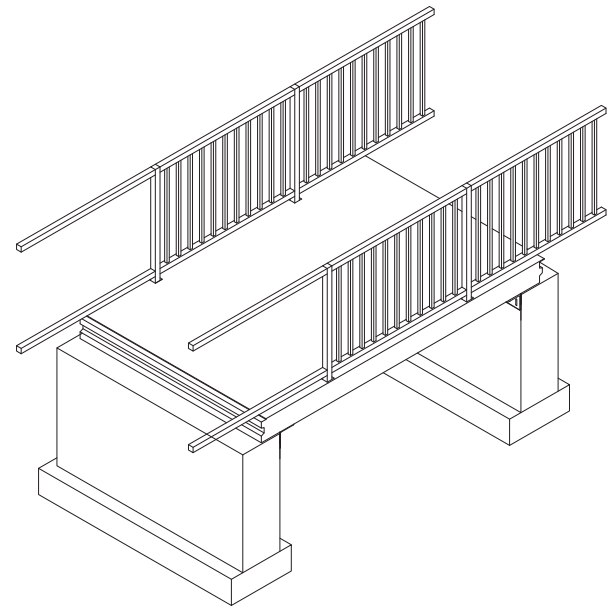
Armor-Deck® Bridges can be engineered to mount a wide array of railing and fence designs. The panels have been installed as a thin deck on steel bridge structures or I beams and as a structural component spanning concrete piers. They can replace wood, concrete or steel decks on an existing structure or be used in the construction of a new bridge which can take advantage of the composite deck's lighter weight. The structural composite panels meet typical fire regulations for pedestrian bridges and building materials. The slip and wear resistant surface of the platform is available in different colours and roughness.

Please contact us for further details or design assistance for your bridge project.

### PRODUCT FEATURES

- **Much longer lifespan than traditional materials**
- **Light weight**
- **Zero maintenance**
- **Impervious to salt, chemicals and freeze/thaw**
- **Bolt on railings**

# ARMOR-DECK® Pedestrian Bridges



## Related Transit Solutions



At Grade Platform Systems



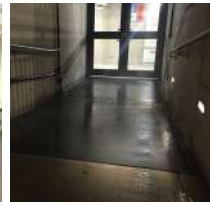
Elevated Platform Systems



Stairs



Ramps



Nexatherm® Snow and Ice Melting Solutions

Contact Kinesik Engineered Products for a quick quote or to obtain more information about our innovative solutions for infrastructure and mass transit applications.

### KINESIK Engineered Products Incorporated

2213 North Sheridan Way  
Mississauga, Ontario L5K 1A3  
Canada

Phone: 855.364.7763  
Fax: 800.769.4463  
www.kinesik.ca