

Armor-Tile®

Tactile Systems

Replaceable Herculite

Setting the standard for Durability & Detectability in Tactile Systems



Armor-Tile® Replaceable Herculite series is manufactured from a polymer Herculite composition with fiberglass reinforcement. Armor-Tile® Replaceable Herculite series innovative design allows for quick and easy replaceability for maintenance if needed. The Armor-Tile® truncated domes and way finding bar tiles are the industry leader for durability, weather and wear resistance. Armor-Tile® is also available as a permanent cast in place, surface applied, and modular paver.

Tactile Walking Surface Indicators (TWSI) products for the following and many more applications:

- Curb Ramps
- Pedestrian Crossings
- Vehicular Passage Ways
- Escalator Approaches
- Parking Areas
- Transit Platforms
- Top of Stair Landings – Wheelchair Ramps
- Multi-Modal transit stations

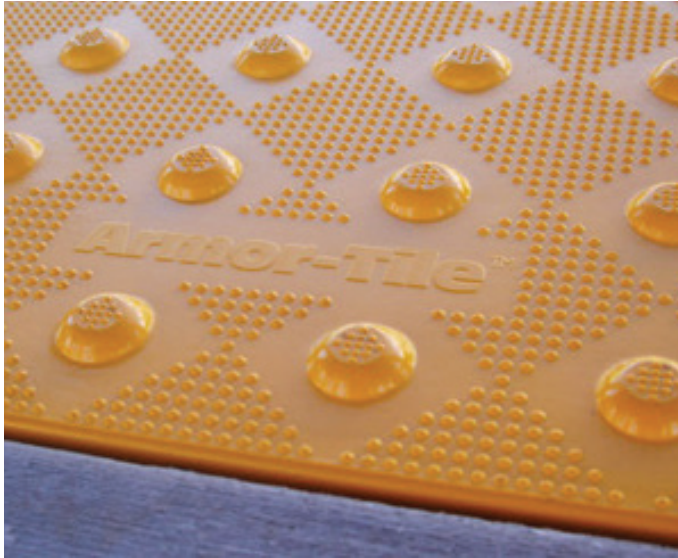
COMPLIANCE

Kinesik Engineered Products Incorporated is in full compliance with Canadian Accessibility Codes. The full product range of Kinesik tactile walking surface indicators meet the most recent AODA, CSA, ISO, provincial and national building codes. Kinesik Engineered Products Incorporated is your one stop source for all tactile systems for internal and external applications. Only Kinesik provides a complete range of products designed for safety, convenience and code compliance.

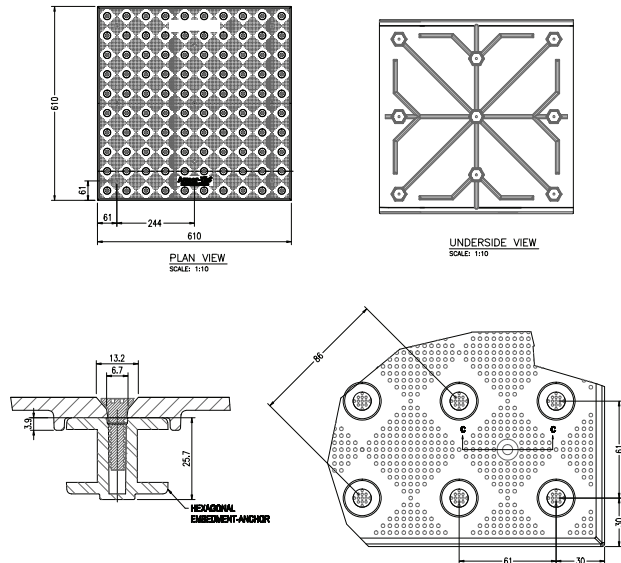


PRODUCT FEATURES

- Innovative design for easy replacement
- Lightweight and easy to handle
- Easily cut to conform to various sizes and radius ramps
- Comes in six (6) standard colours with
- Federal colour identification numbers
- Available in four (4) different sizes to meet your needs
- 5 year manufacturer's warranty



Herculite Replaceable Cast In Place Plans & Details



STANDARD REPLACEABLE CAST IN PLACE SIZES

SIZE	PRODUCT CODE	SIZE	PRODUCT CODE
24"x24" (648x638 mm)	ATH-R-2424	24"x48" (648x1220 mm)	ATH-R-2448
24"x36" (648x892 mm)	ATH-R-2436	24"x60" (648x1500 mm)	ATH-R-2460

KINESIK Engineered Products Incorporated

2213 North Sheridan Way
Mississauga, Ontario L5K 1A3
Canada

Phone: 855.364.7763
Fax: 800.769.4463
www.kinesik.ca

Distributor

PROFESSIONAL ASSOCIATIONS

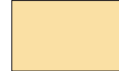
Kinesik is proud to be a member of the following organisations



STANDARD COLOURS



Federal Yellow
(No. 33538)



Ochre Yellow
(No. 23594)



Brick Red
(No. 22144)



Colonial Red
(No. 20109)



Safety Red
(No. 31350)



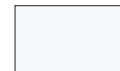
Ocean Blue
(No. 15187)



Dark Grey
(No. 36118)



Light Grey
(No. 26280)



Pearl White
(No. 37875)



Onyx Black
(No. 17038)

TILE SPECIFICATIONS

Test	Description	Requirements
AASHTO HS20-44	Wheel Load Tests	4,722 kg
ASTM D 695	Compressive Strength	≥ 190 MPa
ASTM D 790	Flexural Strength	≥ 172 MPa
ASTM D 638	Tensile Strength	≥ 131 MPa
ASTM D 696	Coefficient of Thermal Expansion	5.0 x 10 ⁻⁶ /°C
ASTM C 1028	Static Coefficient of Friction	≥ 0.8 wet/dry
ASTM E 84	Flame Spread Index	≤ 25
ASTM D 570	Water Absorption	≤ 0.05%
ASTM C 501	Abrasive Wear Index Iw	> 500
ASTM G 155	Accelerated Weathering	ΔE < 5
ASTM C 1026	Freeze/thaw	No effect
ASTM B 117	Salt Spray (300 hrs)	No effect
ASTM D 1037	Accelerated Aging Cycle Testing	No effect
ASTM D 543	Chemical Resistance	No effect
ASTM D 2486	Abrasive Scrub Test	1.5 mm

APPLICATIONS

- Tactile Attention Indicator
- Truncated Domes
- An entry into a vehicular route or area where no curbs or other elements separate it from pedestrian route such as curb ramps, wheel chair ramps, top of stairs/escalators and blended transitions.
- An unprotected drop off edge, such as a transit platform where the change in elevation is greater than 250mm or the slope is steeper than in a ratio of 1:3 (33%).
- The unprotected edges of a reflecting pool.