

# G300F-OB Photoluminescent Obstruction Tape

The **G300F-OB** Obstruction Tape is easy to install and remains visible for hours in complete darkness. Ecoglo<sup>®</sup> G300F-OB is used to identify obstructions within an egress pathway. The G300F-OB is designed to last with a premium integrated adhesive which provides a superior bond to a variety of surfaces. The non-radioactive, non-toxic photoluminescent tape is visible for many hours after the lights go out, having been charged from sunlight or artificial light.

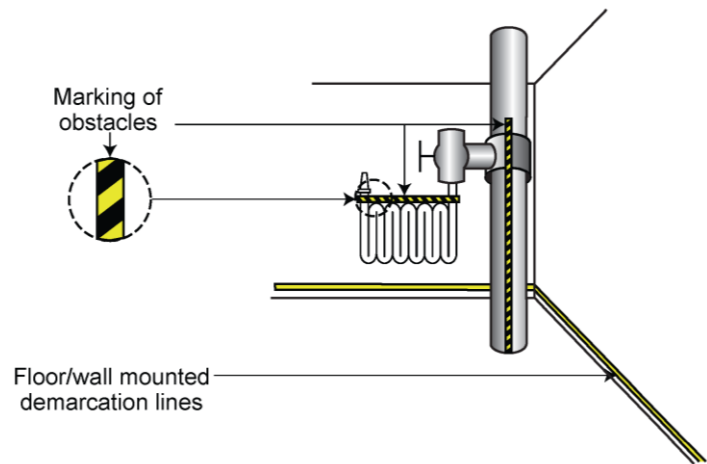
## How to Install:

- Installation surface should be smooth, cleaned of any contaminants and completely dried before tape is applied.
- Fresh paint must be allowed to cure before tape is installed. Loose paint must be removed from painted surfaces.
- Surface preparation is required. Do not stretch tape when applying on installation surface.
- At room temperature, the adhesive takes at least 24 hours to gain maximum bond strength
- Weight: 0.398 lbs/Roll.



## The Ecoglo G300F-OB meets the following Building, Accessible Design, Fire & Life Safety Codes:

- IBC/IFC 2009, 2012 (Section 1024-Luminous Egress Path Markings) and 2015-2021 (Section 1025)
- ULC 590 S
- ULC 572 S
- CSA B651
- ISO/FDIS 2145



**Benefits and Technical Details:** Ecoglo G300F-OB meets or exceeds the performance criteria specified in the following tests or standards:

### **Brightness**

High visibility in dark or light conditions.

- ASTM E2073-02, Standard Test Method for Photopic Luminance of Photoluminescent (Phosphorescent) Markings.
- ISO 17398:2004 Clause 7.11, Safety Colours and Safety Signs- Classification, Performance and Durability of Safety Signs.
- UL 1994 Listed – IMZI.SA3353
- UKLC 572 Listed – IMZI7.SA3353

### **Washability**

Easy Cleaning.

- ASTM D4828-94(2003), Standard Test Methods for Practical Washability of Organic Coatings.

### **Radioactivity**

No radioactivity or toxicity.

- Toxicity: Bombardier SMP 800-C (2000), Toxic Gas Generation Test.

### **Flammability**

Does not burn.

- ASTM E162-02, Standard Test Method for Surface Flammability of Materials Using a Radiant Heat Energy Source.

Contact Ecoglo Inc. for a quick quote or to obtain more information about our emergency lighting products.