



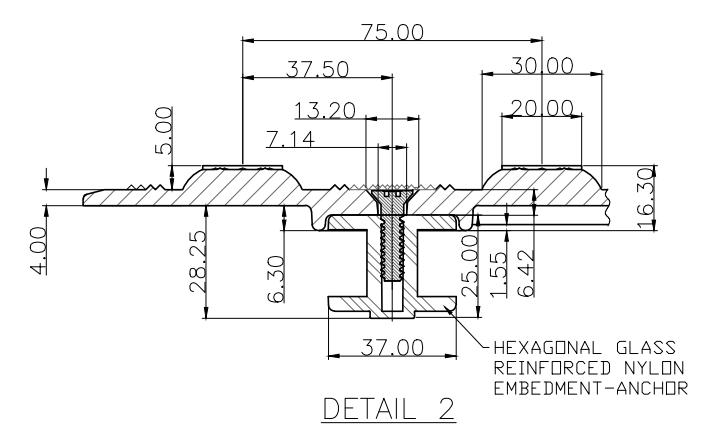
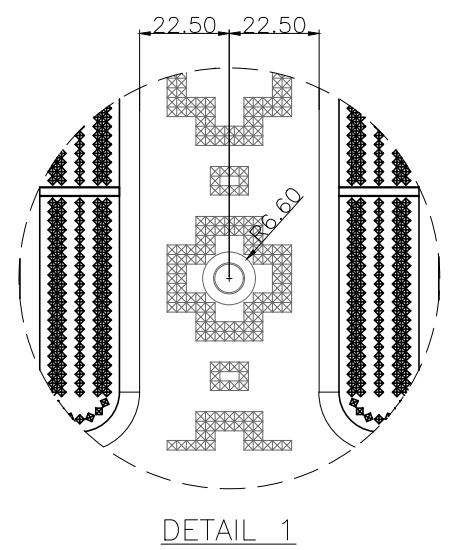
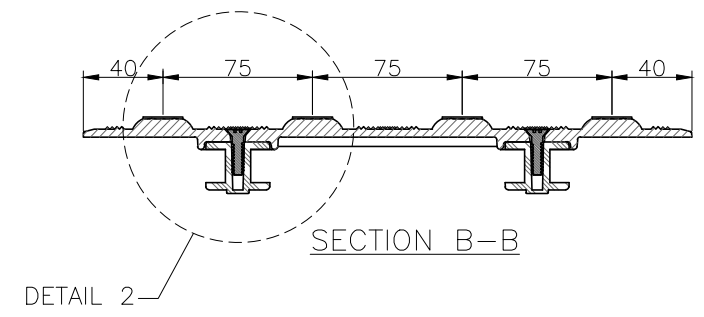
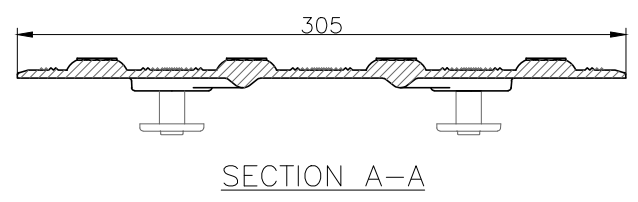
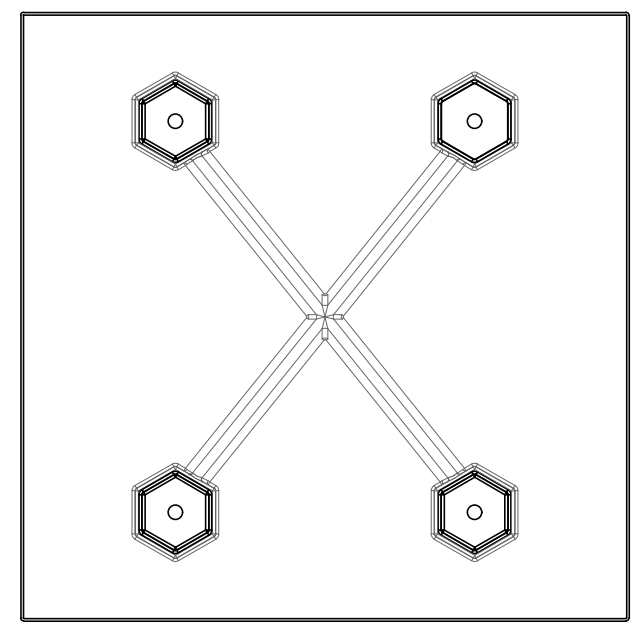
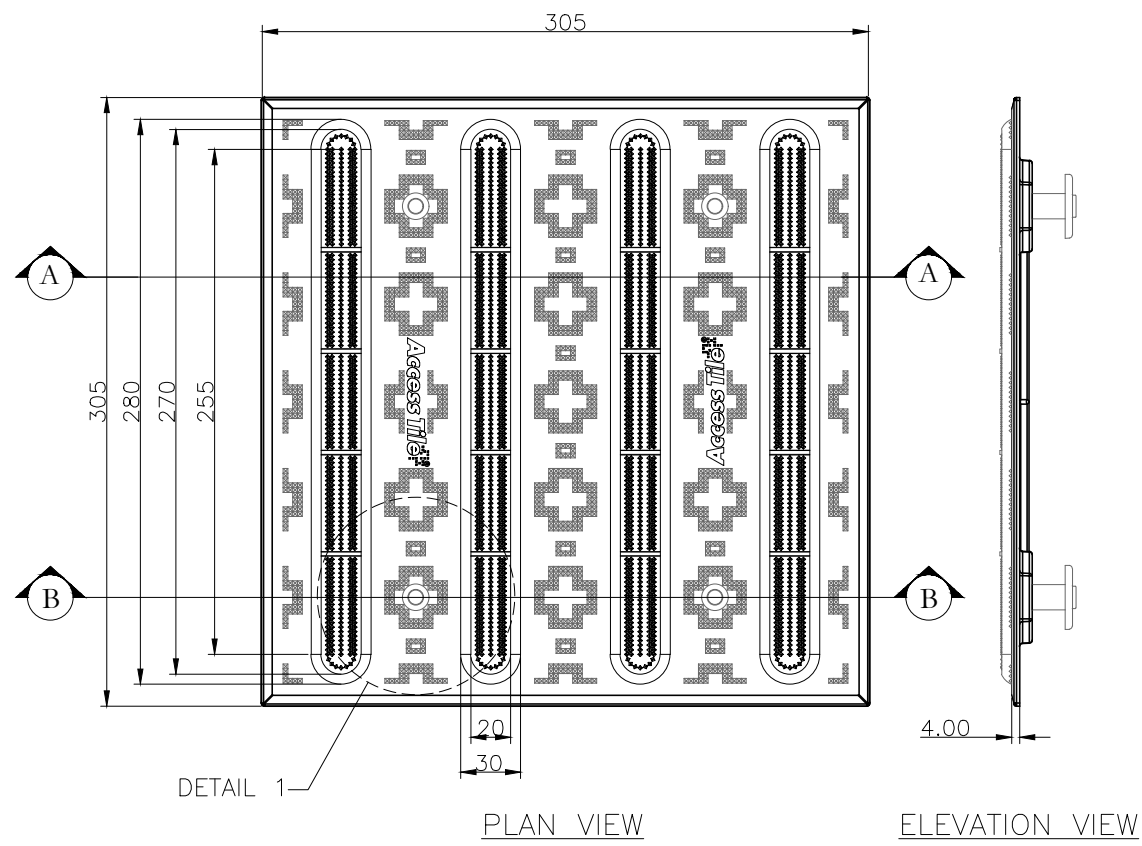
ENGINEERED PRODUCTS

© KINESIK ENGINEERED PRODUCTS
 CONFIDENTIAL AND PROPRIETARY DOCUMENT
 ANY ONE OR MORE OF THE FOLLOWING
 PATENTS MAY APPLY.
 U.S. PATENT NO: 5,775,385, 6,449,790;
 6,895,622, 7,000,279 AND 7,690,862.
 U.S.PATENS PENDING 12/374,452;
 12/721,279; 14/349,549;14/376,586;
 AND 62/086,707.
 C.D.N. PATENTS PENDING CA2658211;
 CA2755566; CA2851054 AND
 CA2854358

© KENNETH E. SZEKELY.

MATERIAL LIST

ITEM	DESCRIPTION	PART NO.	QTY
1	ARMOR TILE D.D.T.	ACC-RB-1212	1
2	ANCHOR ASSEMBLY	ACC-RB-ANCH	4



No.	DATE	REVISION	APPR.
0			

SCALE
N.T.S

DESIGNED	BY K.E.S.	DATE 08/90
DRAWN	A.M.	02/06/07
CHECKED		

PROJECT MANAGER	
TRADE DETECTABLE WARNING SURFACE	PART NO. SEE MATERIAL LIST

MATERIAL
VITRIFIED POLYMER COMPOSITE

SUBJECT

TACTILE TILE
 DETECTABLE DIRECTIONAL WARNING
 CAST IN PLACE SYSTEM

PROJECT
 DETECTABLE DIRECTIONAL
 CAST IN PLACE SYSTEM
 PLANS AND DETAILS
 MATERIAL DRAWING

DRAWING NO. ACC-RB-1212-MKT	REV. NO. 0
--------------------------------	---------------