



Endura Series 8 Point Restraint Bed

EN 6000 - 12R

Max-Secure's research and development team has decades of experience solving issues specific to the corrections and institutional furniture industries. We have leveraged this experience to design a restraint bed that is safe, secure, durable, and humane.

For 40 years, Max-Secure furniture has been installed in correctional facilities across North America with a "zero failure" record when installed by our specialized team. Constructed with Max-Secure's advanced proprietary Herculite polymer, our furniture exceeds all national and state fire codes and impact load tests. The unique fastening system leaves no exposed fasteners and the rounded corners ensure safety and reduce the possibility of injury. The 8 point restraint bed is available in a variety of colours.

MAINTENANCE FREE FABRICATIONS

Max-Secure furniture is maintenance free and comes with an industry leading ten-year warranty. Our beds are designed to make your resident rooms feel more like living areas and are proven to withstand continuous use in institutional and correctional environments.

PROPRIETARY HERCULITE POLYMER COMPOSITE MATERIAL

All Endura series products are constructed from our proprietary structural polymer composite. It has been formulated to be maintenance free and will not produce toxic fumes.

See back for details.

PRODUCT FEATURES

- Unprecedented 10-year warranty
- Maintenance-free monolithic construction
- Designed to prevent injury to self or others
- Meets all national and state fire codes
- Herculite Polymer Composite will not produce toxic fumes
- Pickproof perimeter sealant forms a complete liquid barrier
- No exposed fasteners
- No space for concealment
- Smooth finish prevents bed bug infestations
- Designed to be free-standing
- Factory trained installers provide 10-year installation warranty
- Made in the USA

Endura Series 8 Point Restraint Bed

EN 6000 - 12R



8 Point Restraint Bed EN 6000-12R

STANDARD PRODUCT COLOURS



C101
Ash

OPTIONAL PRODUCT COLOURS (NON-STOCKED)



C117
Desert Sand



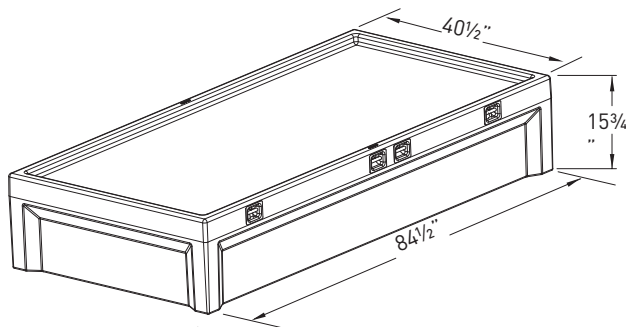
C104
Russet



C109
Forest



C113
Steel Blue



KINESIK Engineered Products Incorporated

2213 North Sheridan Way
Mississauga, Ontario L5K 1A3
Canada

Phone: 855.364.7763
Fax: 800.769.4463
www.kinesik.ca

Distributor

PERFORMANCE TESTING

ASTM D790	Flexural Strength	19,000 [psi]
ASTM D790	Flexural Modulus	1,300,000 [psi]
ASTM D638	Tensile Strength	14,000 [psi]
ASTM D628	Tensile Modulus	1,400,000 [psi]
ASTM D256	Notched Izod	10 [ft-lb/in ²]
ASTM D4821	Unnotched Impact	13 [ft-lb/in ²]
ASTM D2583	Barcol Hardness	50 - 60

FLAMABILITY COMPLIANCE

ASTM - E84	Steiner Tunnel Flame Spread Test
California No.133	Flammability Test Procedure for Seating Furniture
UL94	Standard for Safety of Flammability of Plastic Materials

PRODUCT WEIGHT

73.9 KG / 198 Lbs.

RELATED PRODUCTS

Mattress	[EN6000-M]
Multi Point Restraint Bed	[EN 6000-12RB]

INSTALLATION

Structural adhesive mounting system and perimeter pick proof sealant with no exposed fasteners. Call for complete installation instructions or to get a quote for installation from our factory trained technicians.

WARRANTY

We offer the best and most comprehensive warranty in the industry, 10 years on products and 10 years on installation when installed by our factory trained technicians.

MASTER FORMAT NUMBERING (FILING SYSTEM)

12 55 00	Detention Furniture
12 56 00	Institutional Furniture